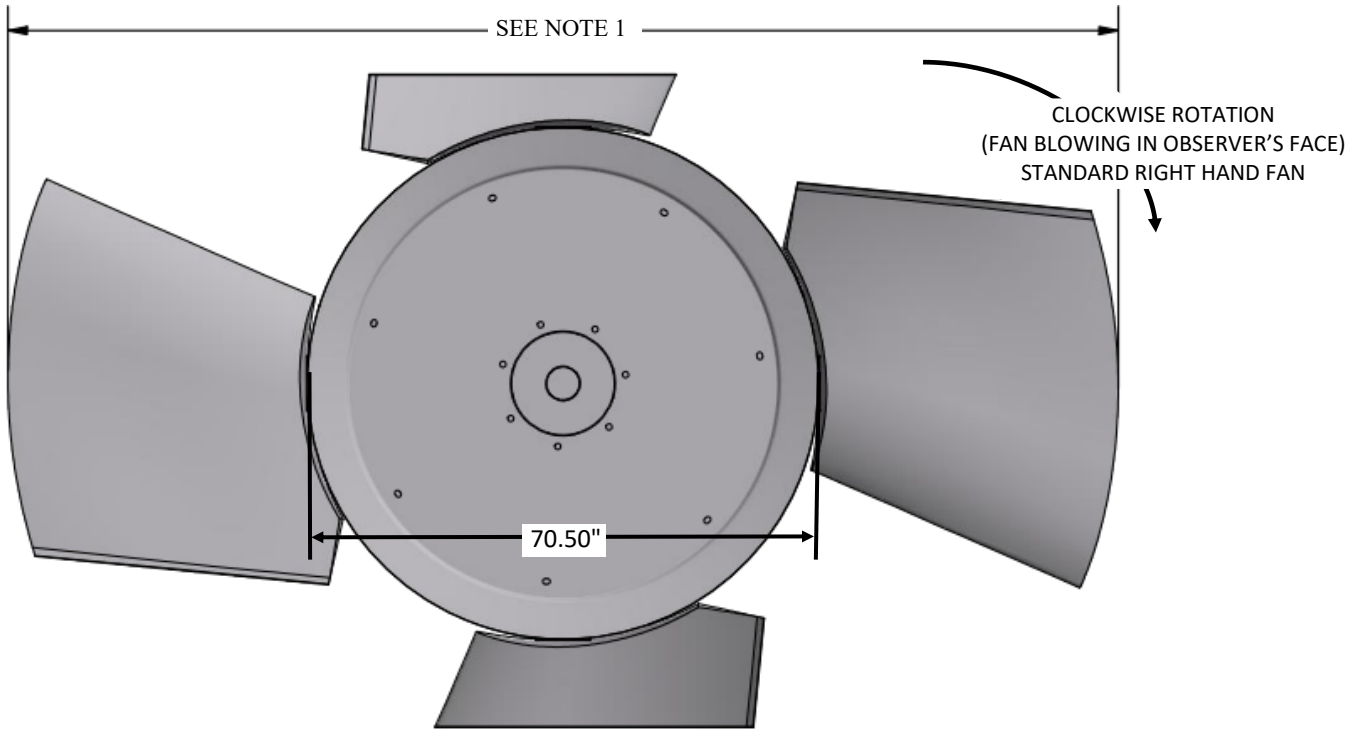
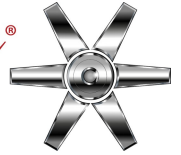


CLASS 10000 MAG SERIES 72

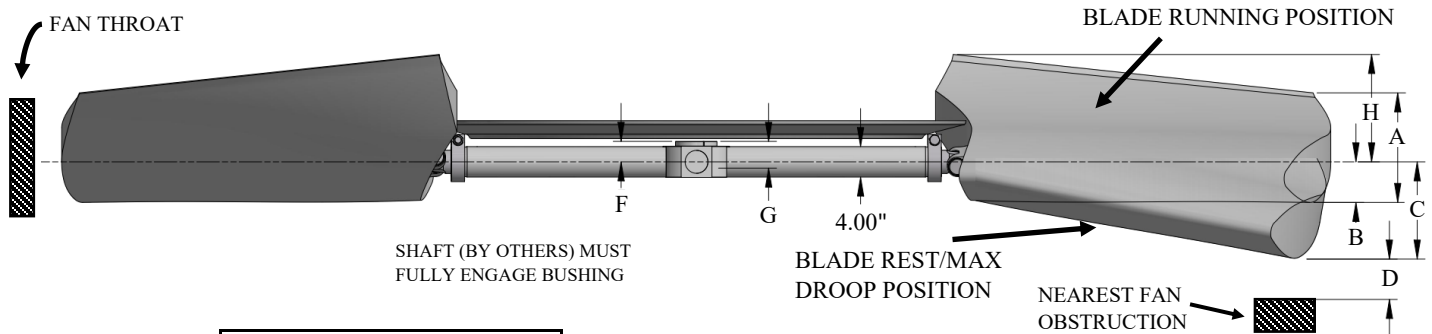
RH ROTATION

Moore
FANS



NOTE 1:
MAXIMUM FAN DIAMETER EQUALS NOMINAL FAN DIAMETER.
ADJUSTMENT OF ±1.5 INCHES POSSIBLE AT INSTALLATION

- A = BLADE TIP PROFILE HEIGHT(PATH WIDTH)
- B = BLADE RUNNING DROOP (C/L TO BOTTOM OF BLADE)
- C = MAXIMUM DROOP POSITION OF BLADES AT 30° (C/L TO BOTTOM OF BLADE)
- D = MINIMUM OBSTACLE CLEARANCE AT INLET
- F = CENTERLINE OF FAN TO BASE OF BUSHING (STANDARD HUB WITHOUT EXTENSION)
- G = BUSHING OVERALL HEIGHT
- H = MAXIMUM HEIGHT OF BLADE AT 30° (C/L TO AIR OUTLET SIDE)
- L = MAX . BUSHING TORQUE FT. LBS.
- # = WITH S.A.E. STANDARD SQUARE KEYWAY
- * = WITH SHALLOW KEYWAY IN BUSHING
- o = MAX METRIC BORE WITH STANDARD KEYWAY



**WITH FAN OPERATING AT
10000 FT/MINUTE BLADE TIP SPEED**

BUSHING AND/OR AIR SEAL
CAN BE INSTALLED ON INLET
OR OUTLET SIDE OF FAN

| DIA | BLADE ANGLE | | | PERCENT BLADE LOADING | | C | D | H |
|-------|-------------|-------|-------|-----------------------|-------|-------|----|-------|
| | 10° | 20° | 30° | 100% | 75% | | | |
| | A | | | B | | | | |
| 14.0' | 14.2" | 21.9" | 29.7" | 15.0" | 13.8" | 18.1" | 6" | 23.1" |
| 15.0' | 14.2" | 21.9" | 29.7" | 16.2" | 14.7" | 20" | 6" | 23.1" |

| MAX BLADES | BUSHING TYPE | MAX # BORE | MAX * BORE | MAX o BORE | F | G | L |
|------------|--------------|------------|------------|------------|--------|------|------|
| 7 | W | 3.75" | 4.000" | 100 | 2.725" | 2.8" | 7300 |